

MODEL - 924S,944/S/T
SUBJECT - INSTALLING NEW TYPE WATER PUMP
PAGE - 1 OF 2

Note:
951 106 021 04 will not be available for pre-1987 models until current inventory of 951 106 021 01 is depleted.

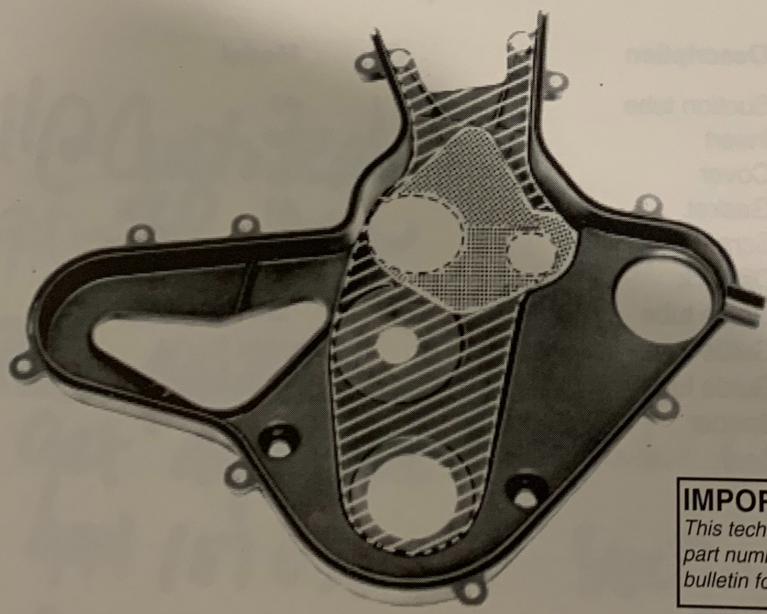
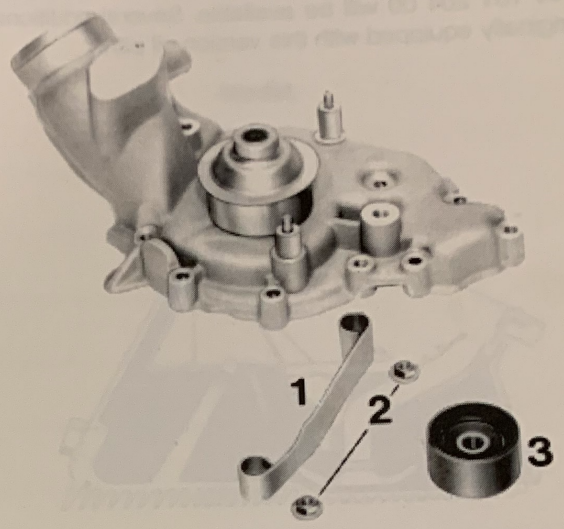
When repairing cars from start of production 1983, install the new version coolant pump. The following parts must also be ordered for use with the new version coolant pump: (The following parts may or may not come with the new pump).


- 1 - Guard rail - PN 944 105 213 01- Qty. 1
 - 2 - Lock nuts - PN 999 084 092 02- Qty. 2
 - 3 - Roller - PN 944 105 241 03- Qty.1
- Roller diameter is 46.2mm (formerly 32.0mm)

The gasket between the coolant pump and the crankcase has not been changed.

Important:

Mark the running direction of the camshaft and balance shaft belts prior to removal to assure the same running direction on reassembly. Inspect toothed belts for wear or damage and replace if necessary.



 - Material to be removed

IMPORTANT NOTE:
This tech bulletin is a copy of an original factory bulletin, some of the part numbers listed have been superseded. Use the information from this bulletin for repair, for the latest part numbers, refer to our catalog.

NOTICE: Not all parts listed above are available from EuroSelect. Refer to Price List to determine availability. Porsche® part numbers are used by permission of Porsche Cars North America, Inc. See your authorized Porsche Dealer for genuine Porsche Parts.