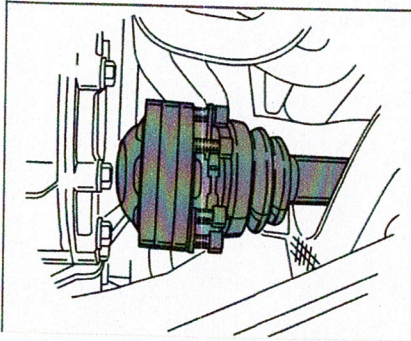


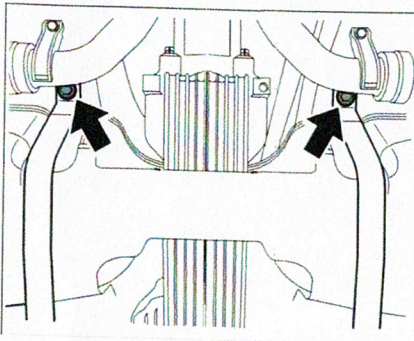
Diagnostic system: reading out fault memory and activating systems



Drive shaft

7. Fit front drive shafts on transmission side. To do this, screw in six hexagon socket head bolts between each drive shaft and the transmission flange and tighten bolts. Counter at the wheel to stop it from turning.

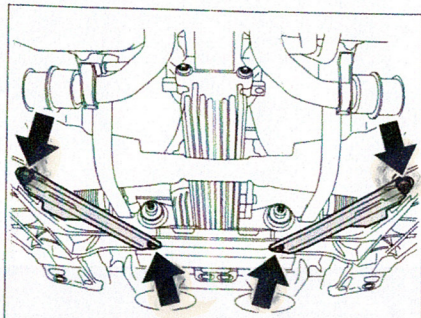
Location	Explanation	Type	Basic value	Tolerance 1	Tolerance 2
Drive shafts	Fastening screws between drive shaft and transmission flange	Tightening torque	39 (29 ftlb.) Nm	✓	13mm



Cover

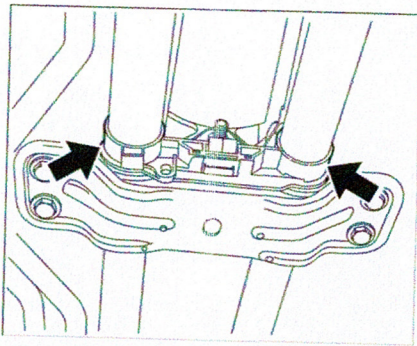
8. Install front cover.

Location	Explanation	Type	Basic value	Tolerance 1	Tolerance 2
Retaining strap securing cover to body		Tightening torque	23 (17 ftlb.) Nm	✓	13mm



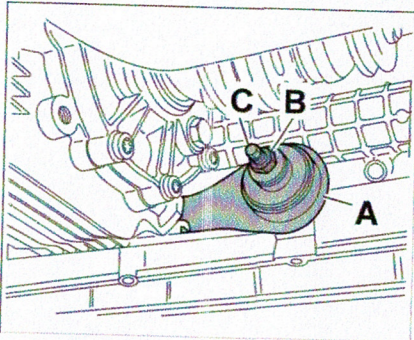
Location	Explanation	Type	Basic value	Tolerance 1	Tolerance 2
Diagonal brace to body		Tightening torque	100 (74 ftlb.) Nm	18mm	

Diagnostic system: reading out fault memory and activating systems



Pipe holder

6. Disengage pipe holder from lines and remove it.



Final drive mount

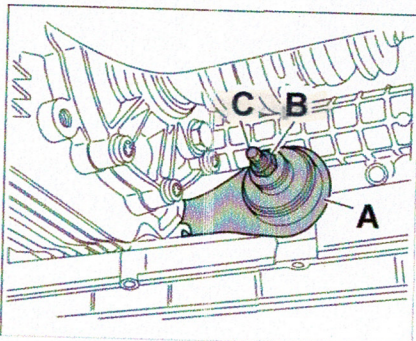
7. Undo fastening nuts **-B-** for front bracket **-A-** and unscrew the studs **-C-**.
8. Carefully lower the final drive out. When doing so, avoid damaging the coolant pipes.

top of page

Installing front final drive

Installing front final drive

1. Carefully guide the final drive into position from below. When doing so, avoid damaging the coolant pipes.



Installing front final drive

Diagnostic system: reading out fault memory and activating systems

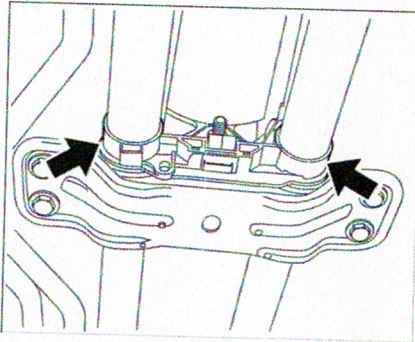
Final drive mount

2. Screw studs **-C-** through the transmission support **-A-** and into the front-axle cross member.

Location	Explanation	Type	Basic value	Tolerance 1	Tolerance 2
Stud on front-axle cross member		Tightening torque	20 (15 ftlb.) Nm	✓	7mm

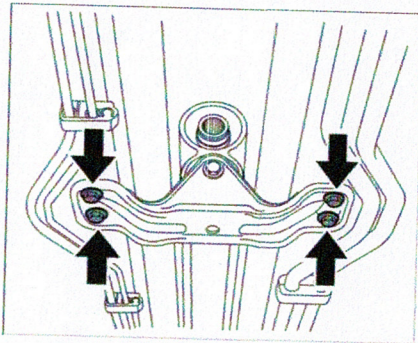
3. Screw fastening nuts **-B-** onto studs and tighten.

Location	Explanation	Type	Basic value	Tolerance 1	Tolerance 2
Fastening nut on stud		Tightening torque	65 (48 ftlb.) Nm	✓	15mm



Pipe holder

4. Engage pipe holder on lines.



Pipe holder

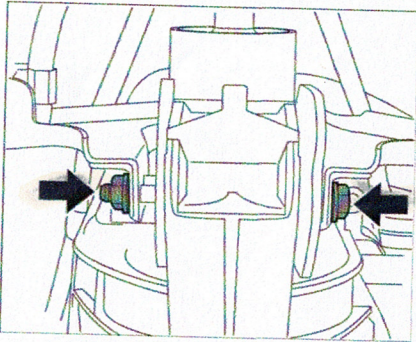
5. Screw in fastening screws for pipe holder.

Location	Explanation	Type	Basic value	Tolerance 1	Tolerance 2
Fastening screws securing pipe holder to body		Tightening torque	65 (48 ftlb.) Nm	E14	

6. Remove transmission jack.

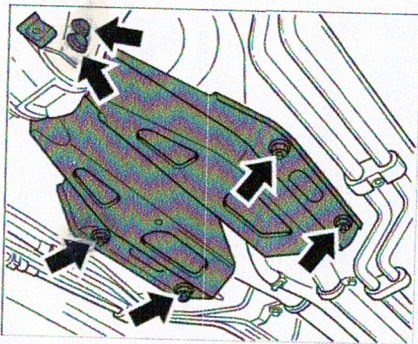
Diagnostic system: reading out fault memory and activating systems

7. Check that the bellows is seated properly by pulling on it.
8. Support transmission in installation position with transmission jack.



Gear support

9. Unscrew fastening screws on gear support.



Transmission bracket

10. Fit transmission bracket.

Location	Explanation	Type	Basic value	Tolerance 1	Tolerance 2
Transmission bracket to body		Tightening torque	65 (48 ftlb.) Nm	16mm	
Transmission bracket/support to transmission mount		Tightening torque	65 (48 ftlb.) Nm	15mm	

11. Remove transmission jack.

[top of page](#)

Subsequent work

Subsequent work